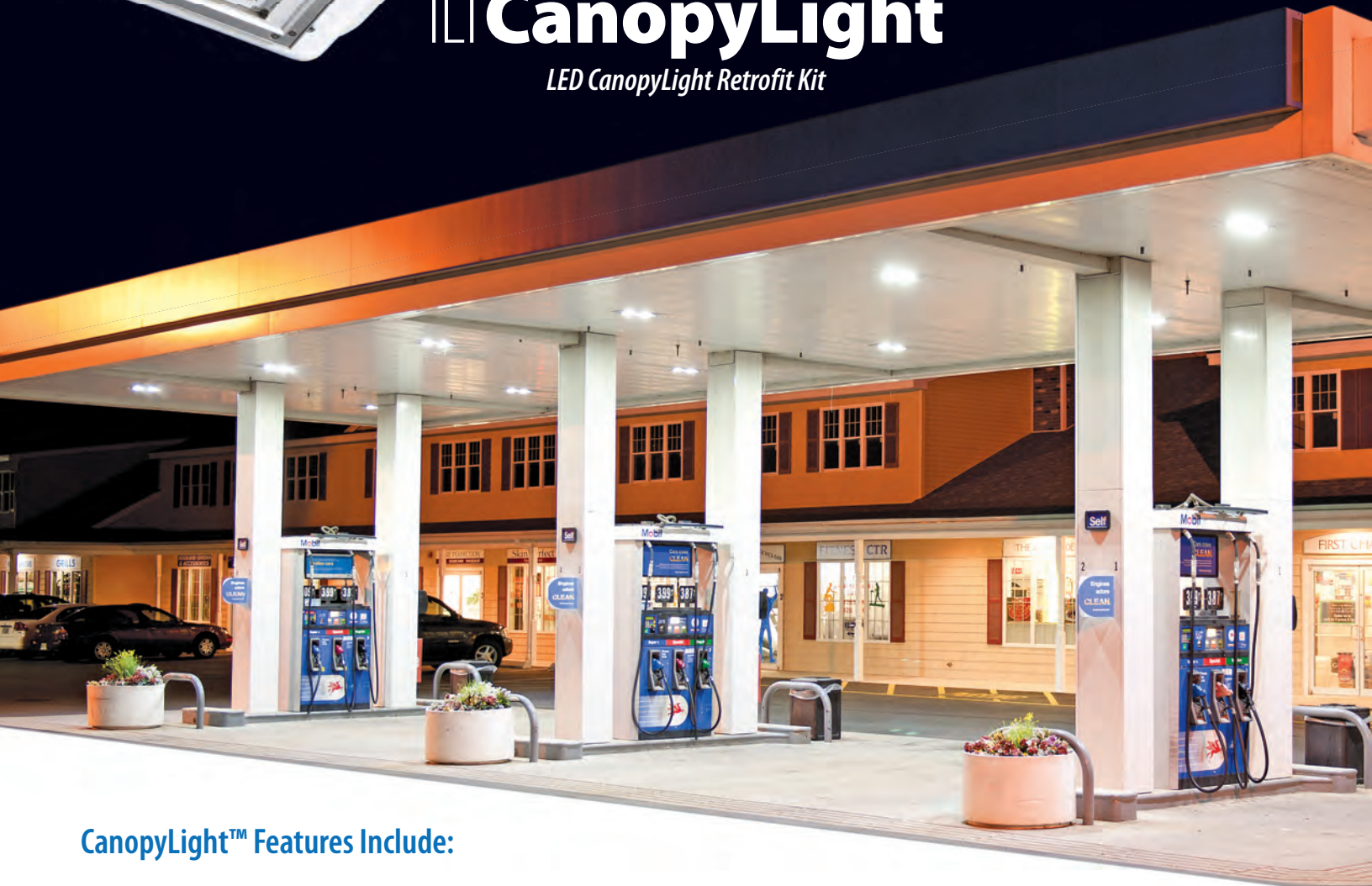




# ILT CanopyLight

LED CanopyLight Retrofit Kit



## CanopyLight™ Features Include:

- ◆ Greater Than 50,000 Hour LED Fixture Life Span
- ◆ Significantly Reduced Energy Consumption – 33W
- ◆ No Cutting into Canopy - Fast Installation, No Leaks
- ◆ Focused Light – Highlights Gas Pumps, Fueling Areas
- ◆ Modular Design for Ease of Maintenance
- ◆ 5 Year Warranty on CanopyLight Fixtures Including Power Supply
- ◆ Unparalleled Customer Support from Initial Inquiry thru Final Installation
- ◆ ETL Listed (pending)

ILT Innovations Division's new CanopyLight LED Retrofit Kit is designed to replace existing metal halide light fixtures in gasoline pump canopies easily and cost-effectively. The LED-based retrofit kits use the existing light fixture roof mounting system - no need to cut the canopy during installation, eliminating potential roof leaks common with other canopy light retrofit procedures.

And 40-Plus Years of ILT Lighting Experience  
Goes Into Every CanopyLight!

**ILT INNOVATIONS**

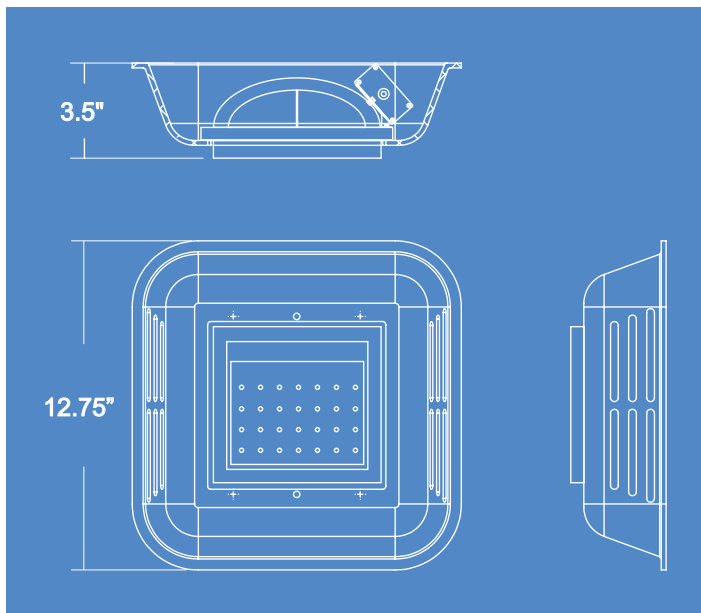
## CanopyLight Specifications:

Optical Spec	Cool White
LED Spec & Quantity	28X1W (White) LED
LED Color Temperature	5700K
Luminaire Efficiency	>85%
LED Efficiency	106 Lm/W
Initial Delivered Lumen $T_j = 25^\circ\text{C}$	2575 Lm
Illuminance Distribution at 15.3 ft	16.6 FC (Single Unit)
Color Rendering Index (CRI)	$R_a > 70$
Beam Angle	$80^\circ$

Electrical Spec	
Input Voltage & Frequency	AC 100-277 V, 50-60 Hz
Power Factor	>0.95
Input Current	0.3 A (110 V)
Total Power Consumption	33 W
Power Supply Efficiency	>87%

Temperature Spec	
Case Temperature ( $T_a = 30^\circ\text{C}$ )	$51^\circ\text{C}$
Junction Temperature ( $T_a = 30^\circ\text{C}$ )	$64^\circ\text{C}$
Case Temperature Rise ( $T_a = 30^\circ\text{C}$ )	$21^\circ\text{C}$
Junction Temperature Rise ( $T_a = 30^\circ\text{C}$ )	$34^\circ\text{C}$

Other Spec	
Operating Temperature & Humidity	$-30\text{--}40^\circ\text{C} / 10\text{--}90\% \text{ RH}$
Storage Temperature	$-20\text{--}45^\circ\text{C}$
Dimension	L12.75" X W12.75" X D3.5"
Net Weight	6.5 Lbs.
IP Rating	IP65
Lifespan	>50,000 Hrs.



### We're Here to Help with UNPARALLELED CUSTOMER SUPPORT

ILT understands that LED-based canopy lighting is a new technology for many facility managers. That is why we provide UNPARALLELED CUSTOMER SUPPORT on all CanopyLight LED Retrofit Kit inquiries, from initial conversation through final installation.

NEXT STEP: If learning more about LED-based canopy lighting is high on your "to do" list, please give Pete Couture, ILT CanopyLight Sales/Applications Engineer, a call today at 978-818-6180 X130 or email Pete at [pcouture@intl-lighttech.com](mailto:pcouture@intl-lighttech.com).



**InternationalLight**  
TECHNOLOGIES

ISO 9001:2008

10 Technology Drive, Peabody, MA 01960  
978-818-6180 978-818-6181 fax  
[intl-lighttech.com](http://intl-lighttech.com)